

# EL<sup>®</sup>MARK

The Brand of Electricity

## LIVIA 90, 160, 180 LED DOWNLIGHT



### GENERAL INFORMATION »

- ∴ Rated voltage: 100-240V/ 50-60Hz
- ∴ Power: 6W, 10W, 15W
- ∴ Colour temperature: 2700/4000 settable; 3000/4000/6500- settable; 4000K.
- ∴ Colour: White; Black; Grey
- ∴ Body: Resin with frosted glass
- ∴ UV resistant
- ∴ Lamp holder: GU10, GX53, E27
- ∴ Lamp included
- ∴ Insulation class II
- ∴ Protection against dust and moisture: IP55, IP43

### FEATURES »

- ∴ LED downlight lamp with no visible screws
- ∴ Made of shockproof resin material
- ∴ UV-rays stabilized, rust and corrosion-free.

### AREAS OF APPLICATION »



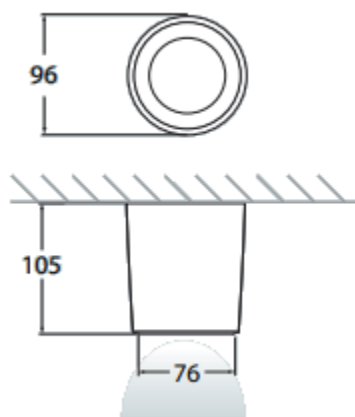
# TECHNICAL SPECIFICATION SHEET

## [PRODUCT DETAILS »](#)

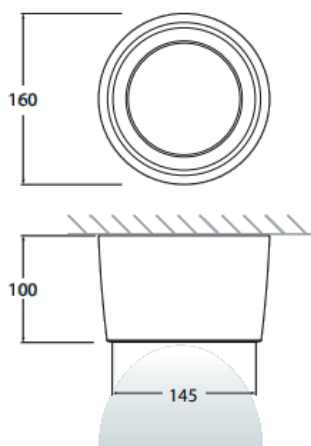
Catalogue number	Watt (W)	Whole fixture lumens (lm)	Colour temp. (K)	Lamp holder	IP	Colour body
95LIVIA90/BL	6	600	2700/4000 settable	GU10	IP55	Black
95LIVIA90/GR	6	600	2700/4000 settable	GU10	IP55	Grey
95LIVIA90/WH	6	600	2700/4000 settable	GU10	IP55	White
95LIVIA160/BL	10	1200	3000/4000/6500- settable	GX53	IP55	Black
95LIVIA160/GR	10	1200	3000/4000/6500- settable	GX53	IP55	Grey
95LIVIA160/WH	10	1200	3000/4000/6500- settable	GX53	IP55	White
95LIVIA180/BL	15	1800	4000	E27	IP43	Black
95LIVIA180/GR	15	1800	4000	E27	IP43	Grey
95LIVIA180/WH	15	1800	4000	E27	IP43	White

## [DIMENSIONS »](#)

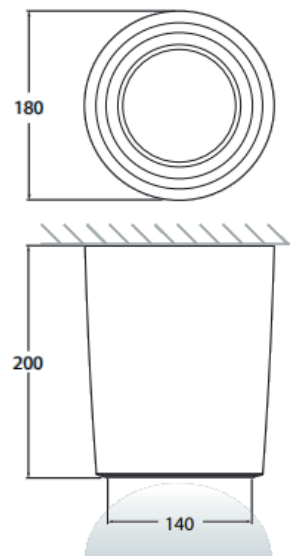
LIVIA 90




LIVIA 160




LIVIA 180

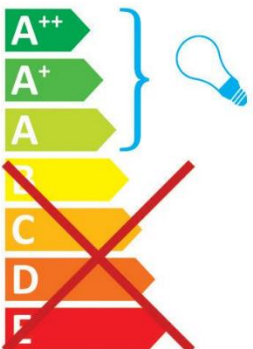


ADDITIONAL INFORMATION »



95LIVIA160/BL




This luminaire is compatible with bulbs of the energy classes:



The luminaire is sold with a bulb of the energy class:



874/2012


Catalogue number	Barcode	Packing /Box (pcs)
95LIVIA90/BL	8031874229145	1/75
95LIVIA90/GR	8031874229152	1/75
95LIVIA90/WH	8031874226021	1/75
95LIVIA160/BL	8031874223853	1/18
95LIVIA160/GR	8031874223860	1/18
95LIVIA160/WH	8031874214684	1/18
95LIVIA180/BL	8031874219870	1/12
95LIVIA180/GR	8031874219740	1/12
95LIVIA180/WH	8031874219887	1/12

